

# Call Points

CXL



The CXL Universal Call Point combines a number of features into one package, simplifying selection and reducing stock variants.

The CXL comes as standard with a plastic and glass element, and its integral LED indicators provides increased flexibility for diverse applications.

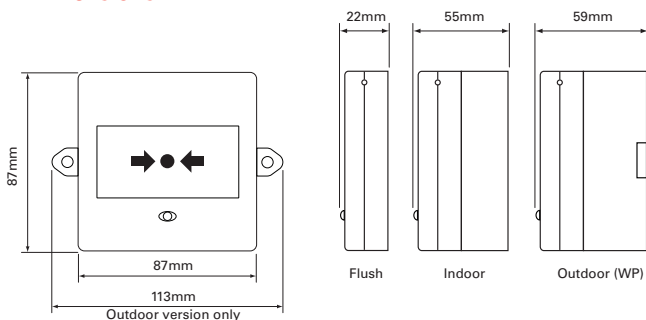
## Features

- Choice of glass or plastic elements
- Changeover contacts
- Potted waterproof option
- Flag on re-settable element

## Benefits

- Select element depending on location and user preference
- Wide range of usages
- Suitable for outdoor use
- Quick, visible alarm identification

## Dimensions



## Technical Specification

<b>Voltage</b>	Up to 30Vdc
<b>Resistors</b>	470 / 680
<b>Element Type</b>	Glass / Plastic (resettable)
<b>Temperature</b>	- 10°C to + 55°C - 25°C to + 70°C (WP)
<b>Protection</b>	IP24D, IP66 (WP)
<b>Construction</b>	ABS
<b>Weight</b>	0.19Kg, 0.22Kg (WP)
<b>Colours</b>	Red*

\* Other colours available - minimum order required.

Call point range also available in different colours for non-fire applications



## Catalogue Numbers

Reference	Cat No	Description
CXL/G/P/R/BB/470+680	4920016FULL-0018XC	Conventional 470R/680R with LED and back box. Includes both glass and Universal plastic resettable elements
CXL/G/P/R/BB/470+680 WP	4990047FULL-0420X	Conventional IP66 470R/680R with LED and back box. Includes both Universal glass and plastic resettable elements

For full list of part numbers, turn to page 83

